


15pcs 15W RGBW 4in1 LED Par Light

VG-LP1515Z



CE RoHS

User Manual

 Please read this user manual before using this product !

Keep it for further reference!

<http://www.vangaa.com>

INDEX

| | |
|--|-----------|
| I . GENERAL..... | 01 |
| II . FEATURES..... | 01 |
| III . SAFETY WARNING..... | 02 |
| IV . OPERATION ATTENTION..... | 02 |
| V . DIMENSION..... | 03 |
| VI . POWER CONNECTION..... | 03 |
| VII . DATA CONNECTION..... | 04 |
| VIII . CONTROL PANEL OPERATION..... | 04 |
| IX . CHANNEL FUNCTION..... | 07 |
| X . TECHNICAL SPECIFICATION..... | 08 |

I . GENERAL

Thank you for using our products. This product is designed for indoor and outdoor use. It is suitable for disco, stage, building etc. As the high power LED Par lighting, this product can be operated as a single unit or in multiple units for large applications. Direct input of DMX512 signal to unit to allow it can be controlled by any DMX512 controller. Powerful internal programs and friendly and convenient operation interface allow customers to program freely to any different lighting project requirements for installation or shows.

This high power par light has got the nice sculpt, efficient, save electricity and durable.

This product complies with the following standards:

IEC60598-1:2003

IEC60598-2-17:1984+A2:1990

On receiving products, please carefully check that there has been no damage caused in transportation and that the following parts are enclosed:

| | |
|-----------------------|-------------------------------|
| Power Cable ----- 1pc | Signal Output Cable ----- 1pc |
| User Manual ----- 1pc | Signal Input Cable ----- 1pc |

II . FEATURES

- 4-digit display, with power and data indication;
- 256 degree brightness adjust, RGBW Mix could reach 16,000,000 Colors;
- Several built-in program function, strobe function, auto running, master/slave working mode;
- 10, 7 DMX control channels modes optional;
- Over temperature protect;
- High brightness and Long project distance;
- We have created the grayscale adjusting and regulation technique. It makes the dimmer become more smoothly;

·ID function.

III. SAFETY WARNING

Every person involved with the installation, operation and maintenance of this device has to know:

- 1). This product must be installed by a qualified professional;
- 2). This product left the place of manufacture in perfect condition. In order to maintain this condition and for safe operation, the user must always follow the instructions and safety warnings described in this user manual;
- 3). Manufacturer will not with responsibility for those operations not according to this Instruction.

IV. OPERATION ATTENTION

- Do not connect power cable of other electric products with this unit;
- Do not connect DMX512 Signal cable of other electric products with this unit;
- Always make sure that you are connecting to the proper voltage, and that the line voltage you are connecting to is not higher than that stated on the decal or rear panel of the fixture;
- Always ground (earth) the fixture electrically;
- During long periods of non-use, disconnect the unit's main power;
- Do not attempt to operate this unit if the power cord has been frayed or broken;
- There are no user serviceable parts inside the unit. Do not open the housing or attempt any repairs yourself;
- Maximum ambient temperature (Ta) is 35°C. Do not operate fixture at temperatures higher than this;
- The surface temperature of the light can reach to 65° C, cool down at least before you operate the light;

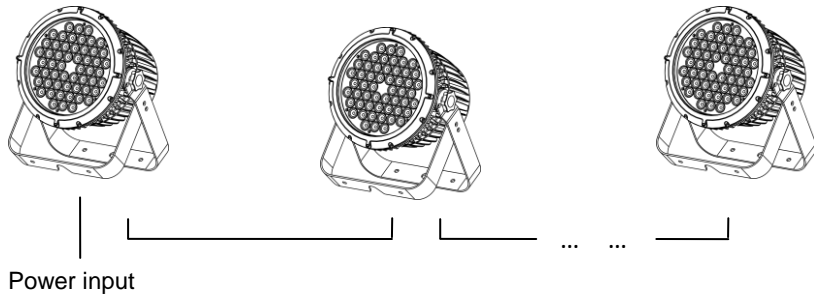
- The minimum distance between light-output and the illuminated surface must be more than 1 meters. Keep all combustible materials (for example fabric, wood, paper) at least 0.5 meters away from the fixture;
- Avoid looking directly into the light source (especially those who suffer from epileptic fits);
- Always mount this unit in safe and stable matter;
- When suspending the fixture above ground level, verify that the structure can hold at least 10 times the weight of all installed devices;
- Verify that all external covers and rigging hardware are securely fastened and use an approved means of secondary attachment such as a safety cable;
- Block access below the work area whenever installing or removing the fixture.
- Avoiding hit the Light when you are move or install the light;
- If the exterior cord of the fixture is damaged, it must be replaced by manufactory, agent or a qualified technician.

V. PRODUCT DETAILS



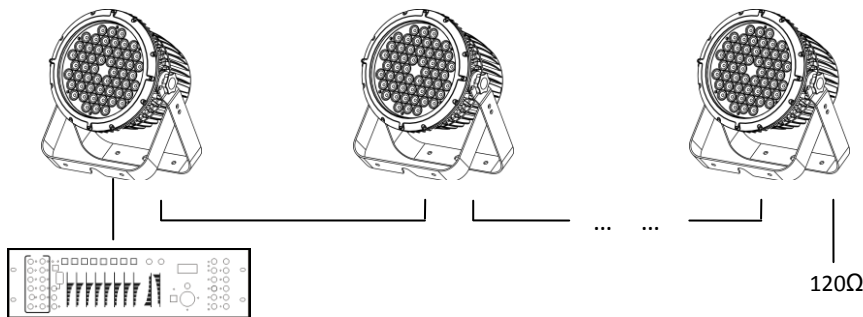
VI. POWER CONNECTION

Connect the enclosed power transform cable to the POWER IN of the 1st lighting, and connect the POWER IN of the 2nd to POWER OUT of the 1st lighting, and so on. Do not connect more than 10 pieces lighting in the Same Circuit series.



VII. DATA CONNECTION

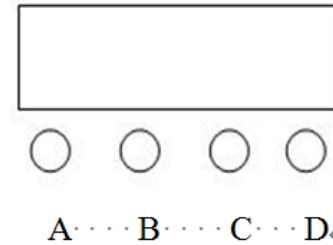
Connect the DMX-output of the controller to DMX IN of the lighting by the enclosed signal cable, if you want to connect more lightings, connect DMX OUT of the first lighting to the DMX IN of the next lighting, and so on. Solder a 120Ω resistor between Signal (-) and Signal (+) into a 3-pin XLR-plug and plug it in the DMX-output of the last lighting can prevents electrical noise from disturbing and corrupting the DMX control signals.



50 fixtures may be connected in Signal series without Signal amplifier.

VIII. CONTROL PANEL OPERATION

BUTTON



- A** Function keys
- B** UP
- C** DOWN
- D** Enter key

INDICATOR

There are 4 dots at the bottom of the digital tube, from left to right as:

1. DMX signal LED indicator;
2. Memory writing indicator, (Press **ENTER** after amending the DATA, This Dot will be light up, it means the Data is saving);
3. Power indicator;
4. Keyboard available indicator.

MENU NAVIGATION

| No | Menu | Menu Function | Description |
|----|------|-----------------------------------|---|
| 1 | d001 | DMX 512 Address code Settings 001 | Press UP and DOWN to adjust the address code, press ENTER to save |
| 2 | r255 | RED brightness adjustment 255 | Press UP and DOWN to adjust the brightness of RED color, press OK to save |
| 3 | G255 | Green brightness adjustment 255 | Press UP and DOWN to adjust the brightness of GREEN color, press OK to save |

| | | | |
|----|------|-----------------------------------|---|
| 4 | b255 | Blue brightness adjustment 255 | Press UP and DOWN to adjust the brightness of BLUE color and press OK to save |
| 5 | H255 | White brightness adjustment 255 | Press UP and DOWN to adjust the brightness of WHITE color, press OK to save |
| 6 | F255 | focal setting | Press UP and DOWN button to adjust the focal length, control the key to save |
| 7 | Pr01 | Built-in program setting 01 | Press UP and DOWN button to select the built-in program, press OK key to save |
| 8 | SP01 | Built-in program speed setting 16 | Press UP and DOWN to select the built-in program speed, press ENTER to save |
| 9 | LD01 | Dimmer mode selection | Press UP and DOWN to select smooth dimmer or beam dimmer mode |
| 10 | AUTO | Auto run mode | Press OK to save |
| 11 | AUDI | Voice control mode | Press OK to save |
| 12 | NT00 | temperature display | Display the current operating temperature of the lamp bead |
| 13 | DISP | Display the inverted selection | Press UP and DOWN to select positive and backward |
| 14 | REST | restoration | Press OK to reset |

IX. CHANNEL FUNCTION

11CH MODE

| CH | VALUE | NAME | FUNCTION |
|------|--|-----------------------------|--|
| CH1 | 000←→255 | General dimmer | R、G、B、W General dimming, linear dimming, from dark to light |
| CH2 | 000←→255 | Strobe | R、G、B、W Strobe, from slow to fast |
| CH3 | 000←→255 | RED dimming | R dimming, RED linear dimming, from dark to light |
| CH4 | 000←→255 | GREEN dimming | G dimming, GREEN linear dimming, from dark to light |
| CH5 | 000←→255 | BLUE dimming | B dimming, BLUE linear dimming, from dark to light |
| CH6 | 000←→255 | WHITE dimming | W dimming, White linear dimming, from dark to light |
| CH7 | 000←→255 | Colors | Color combination |
| CH8 | 000←→010 011←→120 121←→180 181←→244 245←→255 | Macro | The first 7 channels enable; Jump; Gradual change; Jump, gradual change; Voice control |
| CH9 | 000←→255 | Macro function speed | Goes up slowly, 0 goes the fastest |
| CH10 | 000←→255 | Focus | Focal length setting |
| CH11 | 000←→255 | RESET | Press OK to reset |

In the address code state, if there is no console after multi-machine connection, the master-slave online function can be realized to operate one of the devices, and the rest devices in the address D001 state can run programs synchronously with the host. After connecting the

console, if the console signal is received, the address code d will change into A, and the device in the address state can be controlled by the console.

X. TECHNICAL SPECIFICATION

| | |
|----------------------------|--|
| Power supply | AC90-240V, 50/60Hz |
| Power consumption | 200W |
| Light source | 15pcs 15W RGBW 4in1(R: 3W, G: 4W; B: 4W; W:4W) |
| LED rated life | 50,000 hours |
| Beam angle | 10-60° |
| DMX channels | 11CH |
| Protocols | DMX-512 |
| Control modes | DMX-512; Master/slave mode; Demo mode |
| Housing | Aluminum |
| Protection rating | IP65 |
| Working temperature | -25-60°C |
| Fixture dimensions | 330×340×240mm |
| Net weight | 7.53kg |

Please keep this manual as a reference.

Thanks again for your business. We truly appreciate it!

NOTE: Due to improvement, the product specifications and this manual are subject to change without prior notice.